

FLOOR EQUIPMENT PARTS.COM



2260/2270

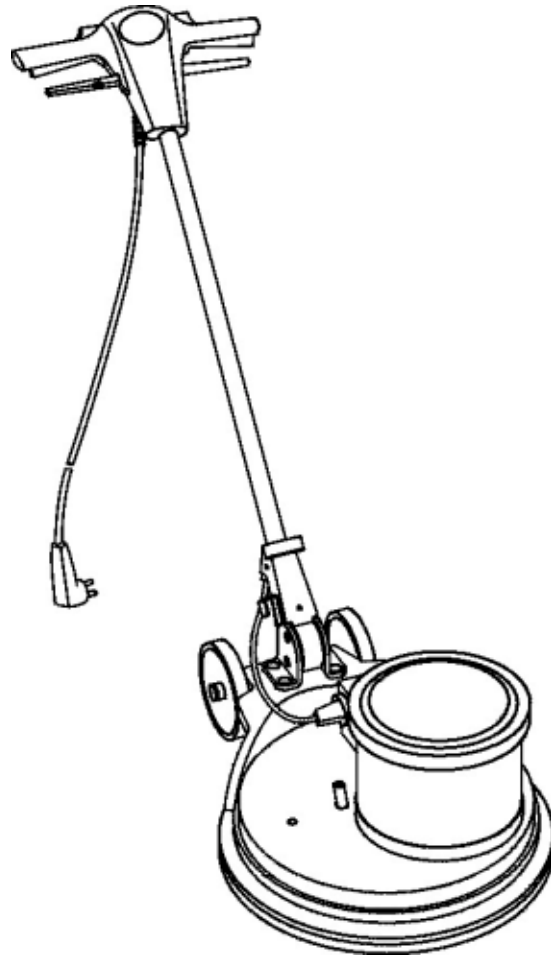
Dual Speed Floor Machine

Model No.:

1001055 - 2260 (120V/60Hz)

1001056 - 2270 (120V/60Hz)

Operator and Parts Manual



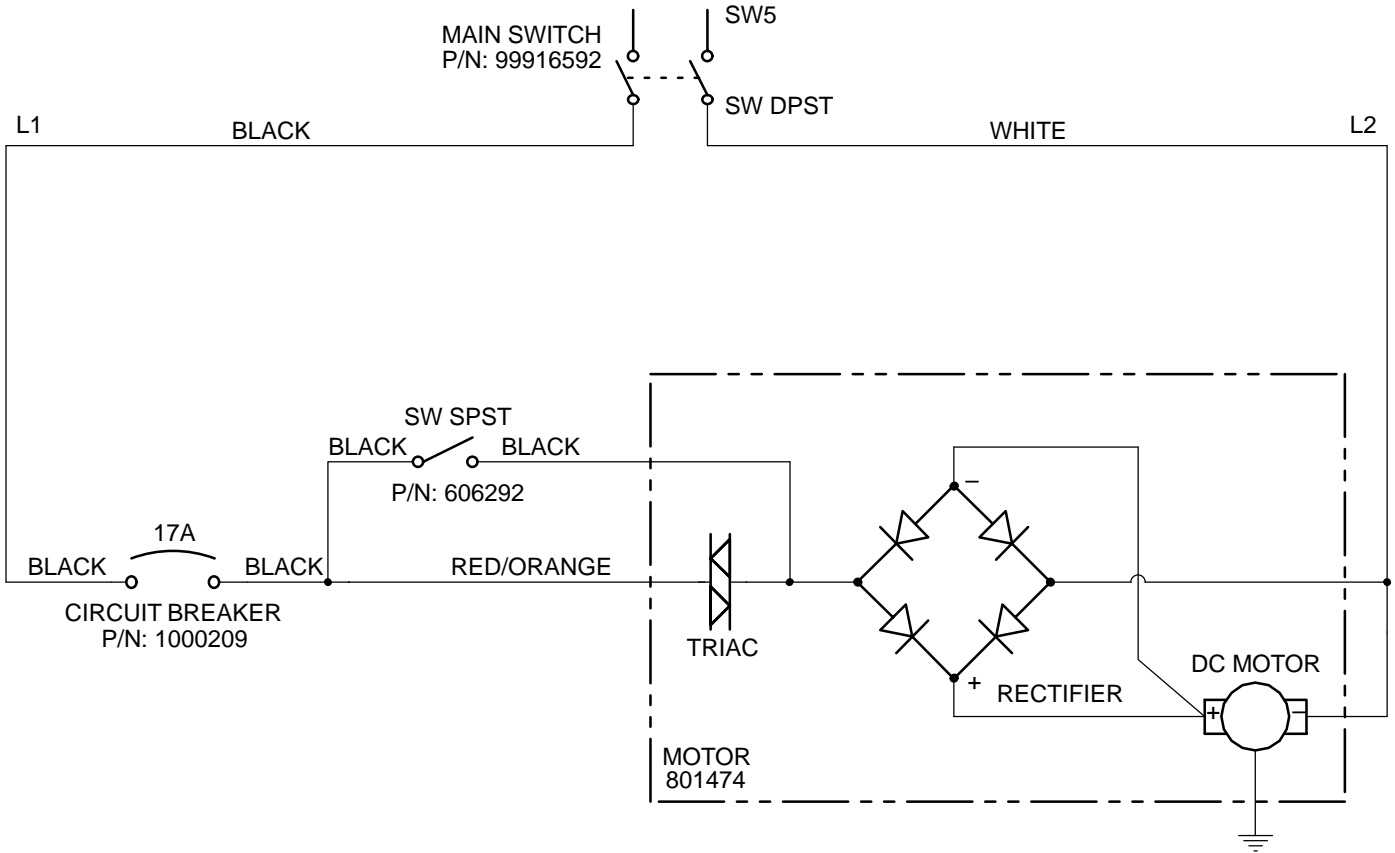
TENNANT COMPANY
Commercial Products
12875 RANSOM STREET
HOLLAND MI 49424 U.S.A.

FAX: 1-800-678-4240
1-616-786-2345
CUSTOMER SERVICE: 1-800-982-7658
1-616-786-2330

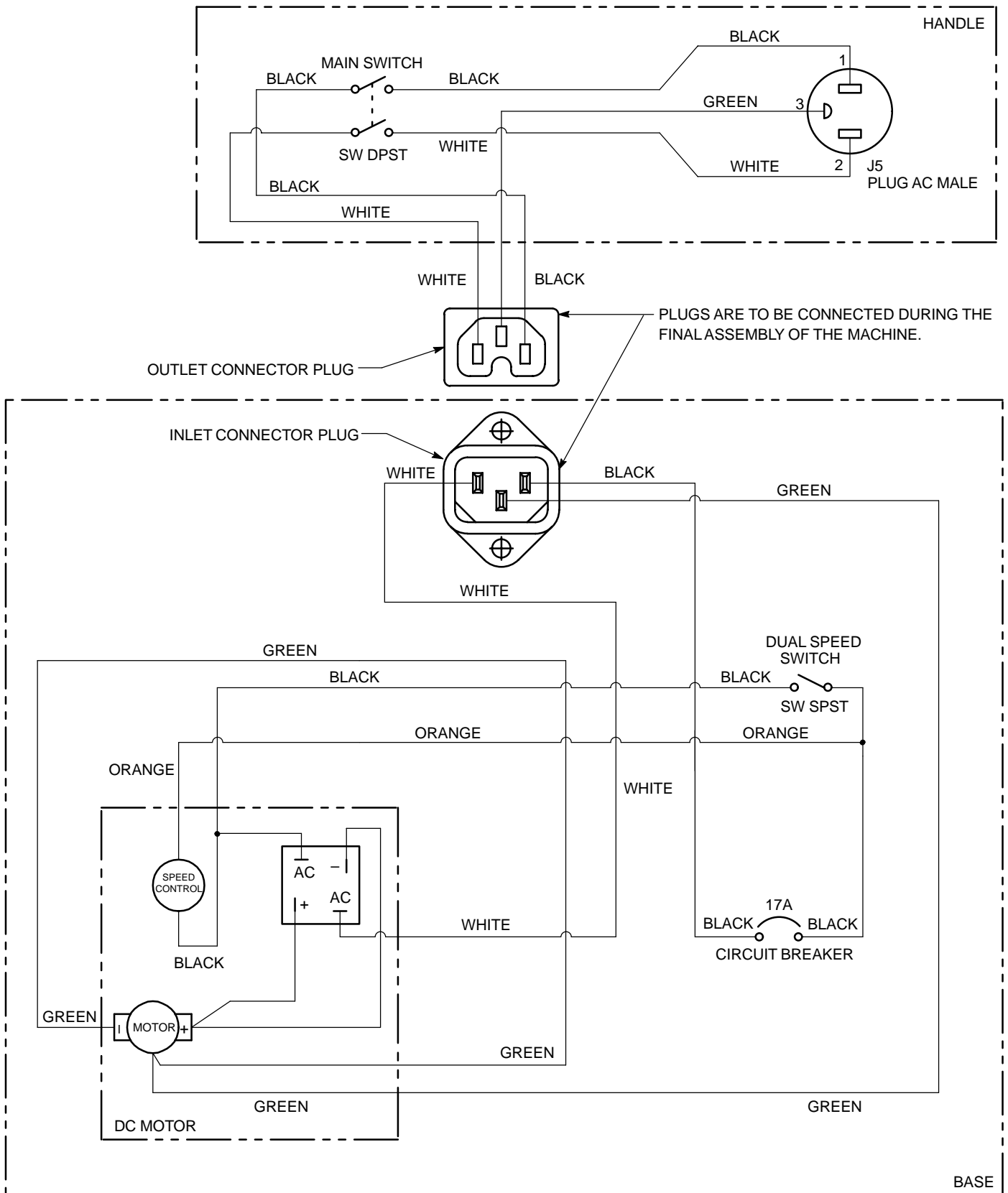
801477
Rev. 00 (01-02)

ELECTRICAL DIAGRAM

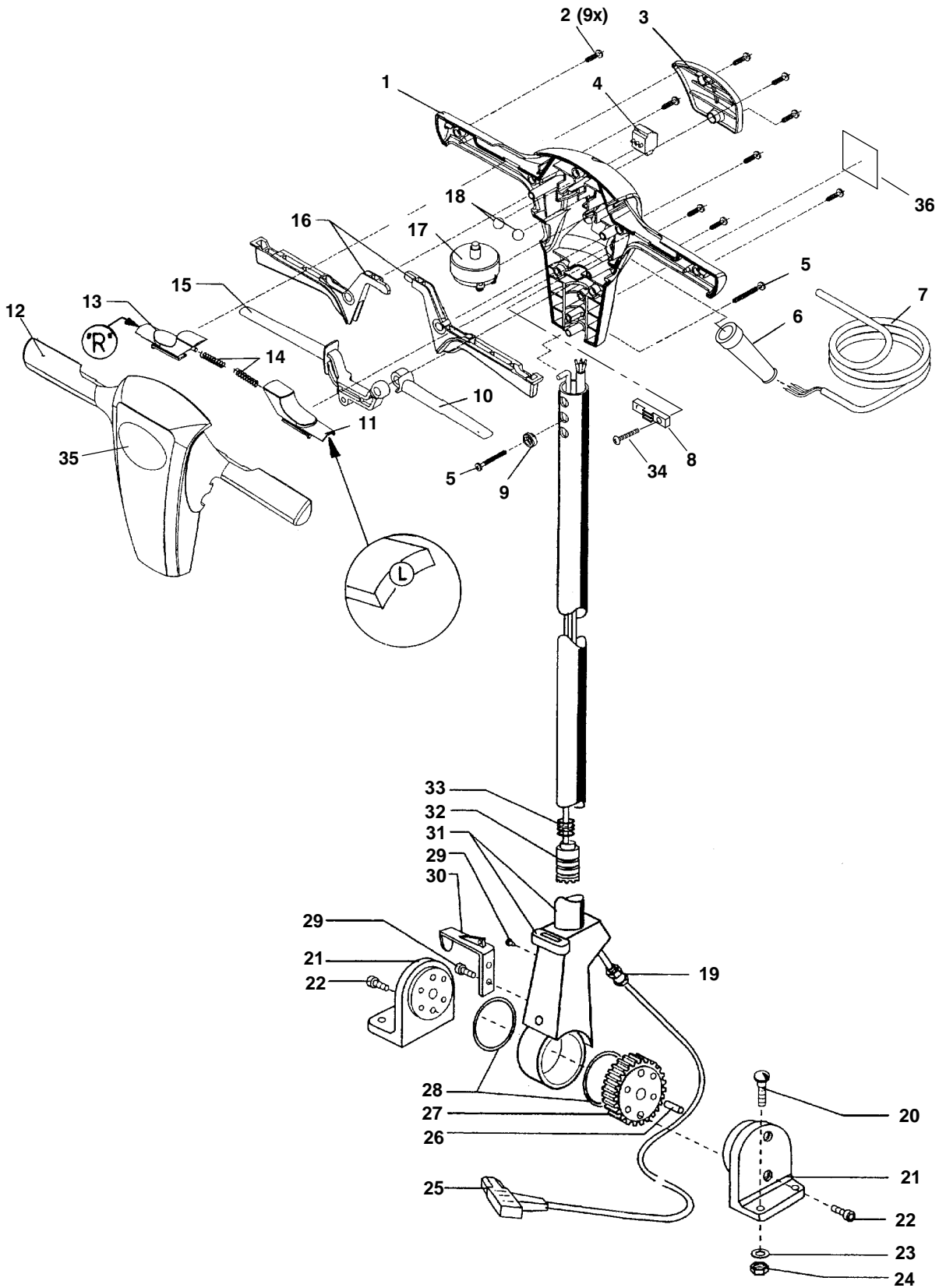
LADDER DIAGRAM



WIRE DIAGRAM



2260/2270 HANDLE GROUP



2260/2270 HANDLE GROUP

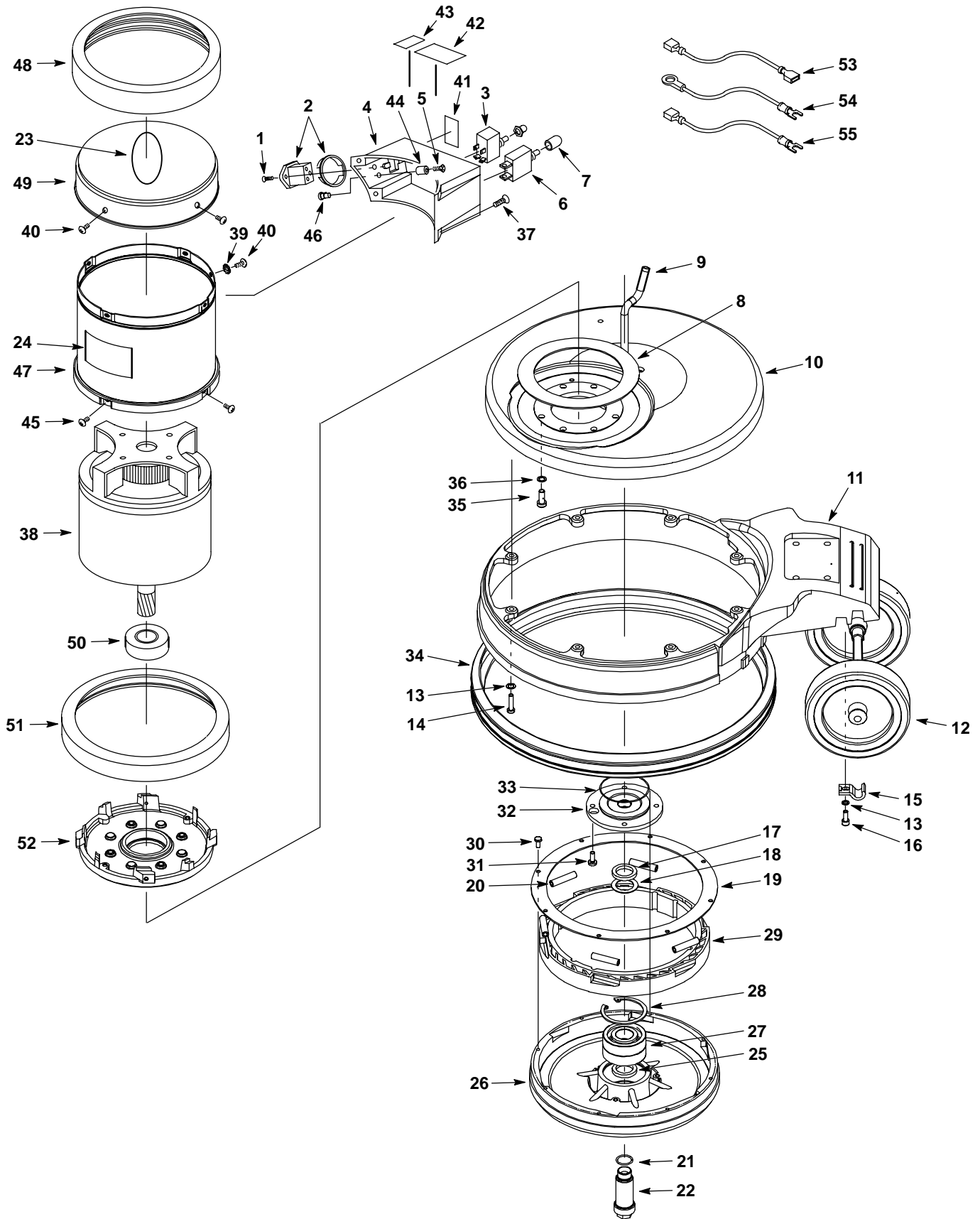
REF	PART #	DESCRIPTION	QTY
	801454	ASSEMBLY, HANDLE	1
1	801447	●HOUSING	1
2	801274	●SCREW	9
3	801003	COVER	1
4	801052	BINDING POST	1
5	801247	SCREW	2
6	801448	●GRIP, CORD	1
7	801359	CABLE	1
8	99916617	BINDING POST	1
9	99916544	INSERT	1
10	801009	●LEVER	1
11	801005	●SLIDE "L"	1
12	801007	●HOUSING	1
13	801004	●SLIDE "R"	1
14	801013	●SPRING	2
15	801008	●LEVER	1
16	801006	●LEVER	2
17	99916592	●SWITCH	1
18	801035	●BALL	2
19	99942168	GRIP, CORD	1

- Recommended Stock Item

REF	PART #	DESCRIPTION	QTY.
20	99918245	●SCREW	4
21	99918240	HOLDER	2
22	99915121	SCREW	4
23	99915678	●WASHER	4
24	99915680	●NUT	4
25	801353	●CABLE	1
26	99918243	PIN	2
27	99918238	●GEARWHEEL	1
28	99923586	●RING	2
29	99946554	SCREW	3
30	99915686	●HOOK	1
31	801143	●TUBE	1
32	801256	ROD	1
33	99915228	●SPRING	1
34	801449	SCREW	2
35	99918249	DECAL, "TENNANT"	1
36	800383	DECAL, READ MANUAL	1
N/S	99918465	WIRE, BLUE	1
N/S	99921332	WIRE, BROWN	1

PARTS LIST

2260 BASE GROUP



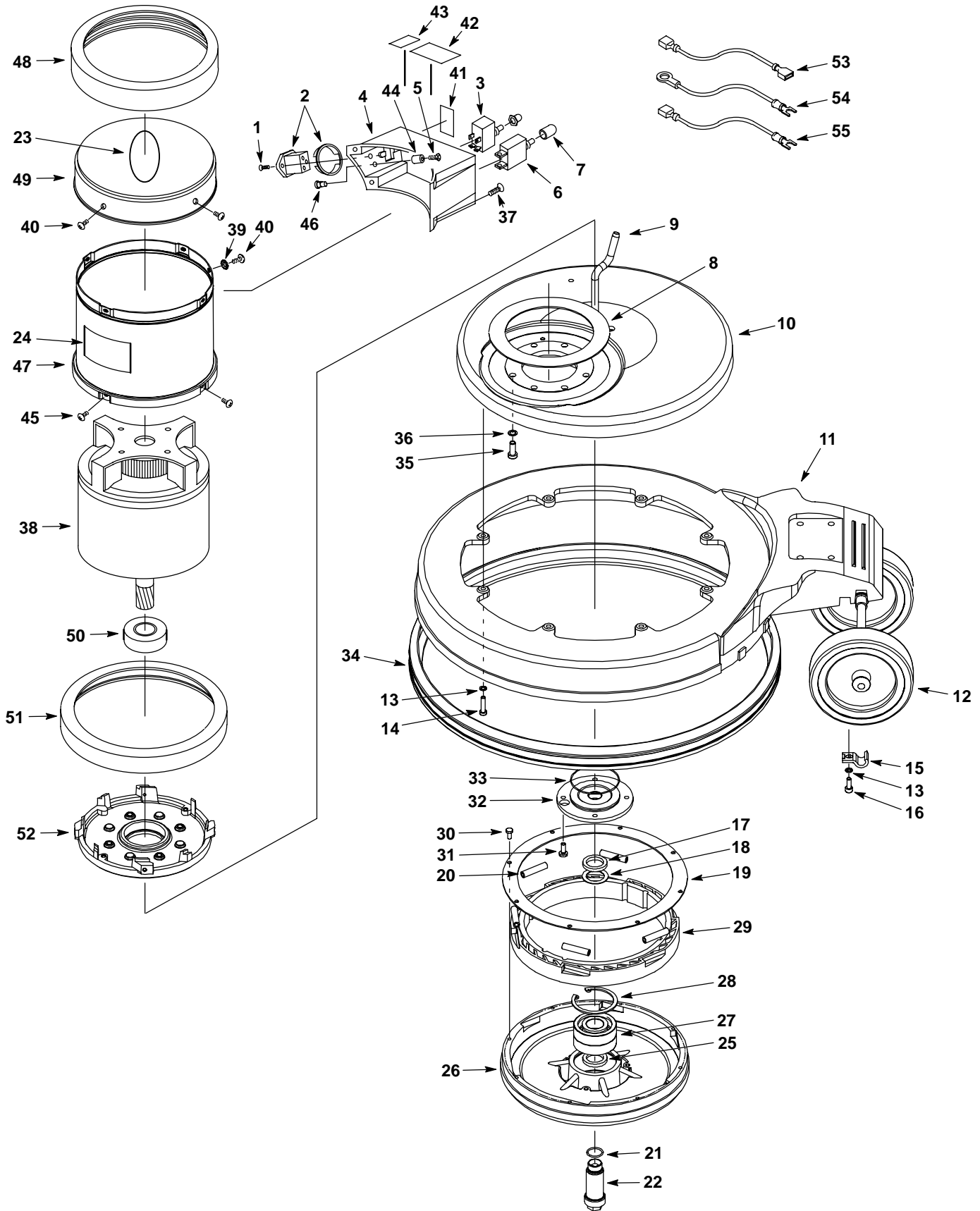
2260 BASE GROUP

REF	PART #	DESCRIPTION	QTY.
1	99927026	SCREW	2
2	99926012	●PLUG	1
3	606292	●SWITCH, 20A, 120V	1
4	801471	●HOUSING, CAPACITOR	1
5	99916079	SCREW	2
6	1000209	●CIRCUIT BREAKER, 17A	1
7	99928928	CAP, WATER PROTECTION	1
8	801058	SEAL	1
9	801144	TUBE	1
10	801180	HOUSING	1
11	801466	FRAME	1
12	801059	●WHEEL SET W/ AXLE	1
13	99915640	WASHER, LOCK	9
14	99915199	SCREW	8
15	801138	CLIP	1
16	99922895	SCREW	1
17	801072	RING	1
18	99922381	WASHER, COMPENSATING	1
19	801135	RING	1
20	99916466	SPRING, COMPRESSION	6
21	613072	O-RING	1
22	613071	SHAFT	1
23	800372	DECAL, "TENNANT"	1
24	1000728	DECAL, "2260"	1
25	99916088	●SEAL, SHAFT	1
26	801339	PAD HOLDER	1
27	801311	●BEARING, BALL, DEEP GROOVE	2
28	99916470	RING, RETAINING	1
29	801032	COLLAR	1
30	99946554	SCREW	8

● RECOMMENDED STOCK ITEMS

REF	PART #	DESCRIPTION	QTY.
31	801120	SCREW	4
32	801066	FLANGE	1
33	801131	RING	1
34	801076	●BUMPER PROTECTION DEVICE	1
35	99931652	SCREW	4
36	99915678	WASHER, LOCK	4
37	99916710	SCREW, M5X10-5.8 FLAT HEAD	4
38	801474	●MOTOR, 1.5 HP, 1800/3200RPM, 120V	1
	22117	●CARBON BRUSH, REPLACEMENT	4
39	99915166	WASHER, LOCK	1
40	99921724	SCREW, M5X10-5.8, PANPHL	5
41	120675	DECAL, DUAL SPEED	1
42	602597	DECAL, WARNING	1
43	800488	DECAL, HAZARDOUS VOLTAGE	1
44	99923370	SPACER	2
45	99925812	SCREW, M6X10-5.8, PANPHL	4
46	99918446	CAP	2
47	801465	SHROUD, MOTOR	1
48	99918814	●BUMPER, MOTOR	1
49	801464	COVER, TOP, MOTOR	1
50	801089	BEARING	1
51	99916030	●BUMPER, MOTOR	
52	801463	SHIELD, END, MOTOR	1
53	801481	WIRE, BLACK (CIR. BREAKER TO SWITCH)	1
54	801482	WIRE, GREEN (PLUG TO MOTOR HSG)	1
55	801483	WIRE, BLACK (PLUG TO CIR. BREAKER)	1

2270 BASE GROUP



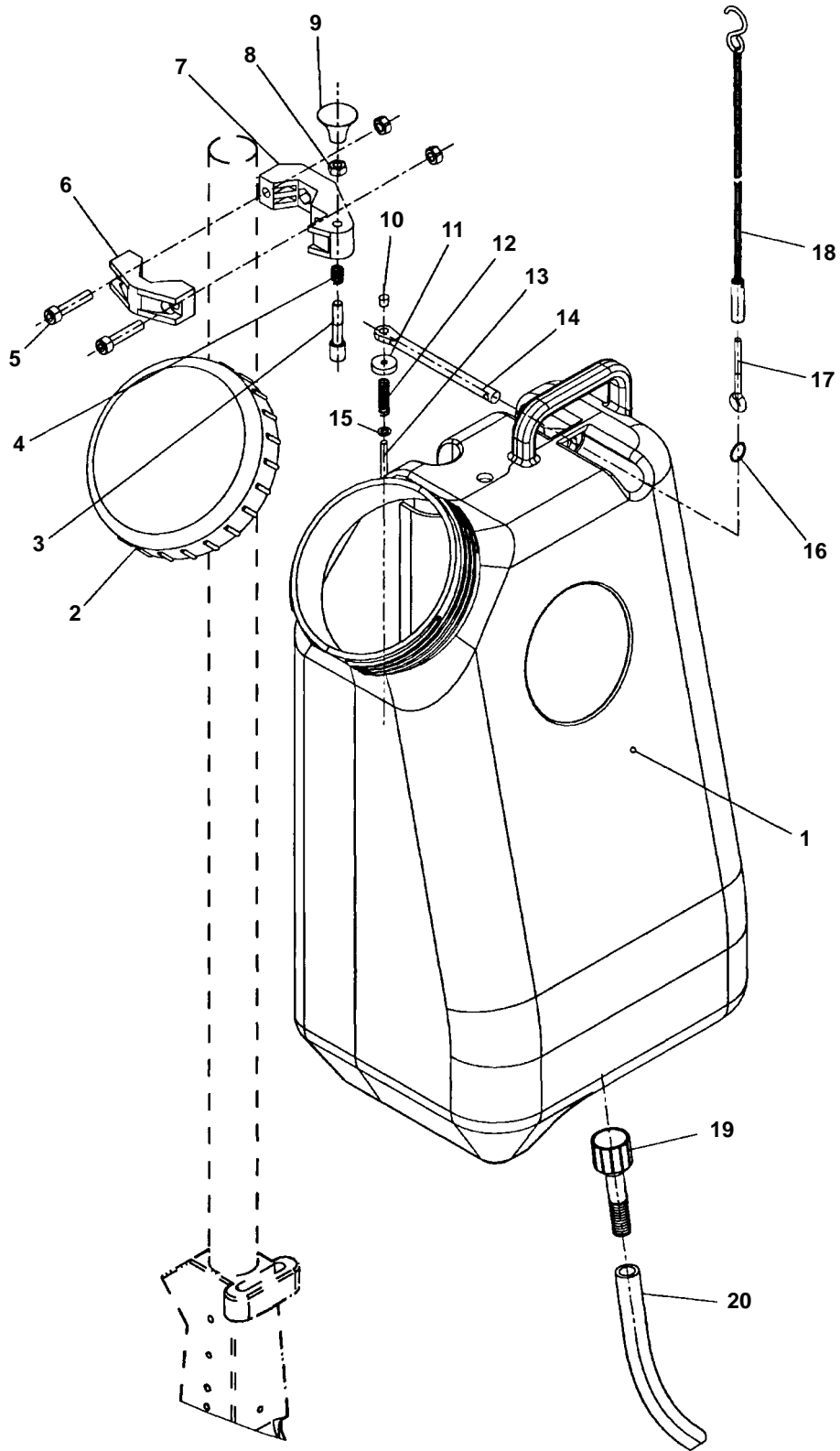
2270 BASE GROUP

REF	PART #	DESCRIPTION	QTY.
1	99927026	SCREW	2
2	99926012	●PLUG	1
3	606292	●SWITCH, 20A, 120V	1
4	801471	●HOUSING, CAPACITOR	1
5	99916079	SCREW	2
6	1000209	●CIRCUIT BREAKER, 17A	1
7	99928928	CAP, WATER PROTECTION	1
8	801058	SEAL	1
9	801144	TUBE	1
10	801180	HOUSING	1
11	801462	FRAME	1
12	801059	●WHEEL SET W/ AXLE	1
13	99915640	WASHER, LOCK	9
14	99915199	SCREW	8
15	801138	CLIP	1
16	99922895	SCREW	1
17	801072	RING	1
18	99922381	WASHER, COMPENSATING	1
19	801135	RING	1
20	99916466	SPRING, COMPRESSION	6
21	613072	O-RING	1
22	613071	SHAFT	1
23	800372	DECAL, "TENNANT"	1
24	1000729	DECAL, "2270"	1
25	99916088	●SEAL, SHAFT	1
26	801339	PAD HOLDER	1
27	801311	●BEARING, BALL, DEEP GROOVE	2
28	99916470	RING, RETAINING	1
29	801032	COLLAR	1

● RECOMMENDED STOCK ITEMS

REF	PART #	DESCRIPTION	QTY.
30	99946554	SCREW	8
31	801120	SCREW	4
32	801066	FLANGE	1
33	801131	RING	1
34	801145	●BUMPER PROTECTION DEVICE	1
35	99931652	SCREW	4
36	99915678	WASHER, LOCK	4
37	99916710	SCREW	4
38	801474	●MOTOR, 1.5 HP, 1800/3200RPM, 120V	1
	22117	●CARBON BRUSH, REPLACEMENT	4
39	99915166	WASHER, LOCK	1
40	99921724	SCREW	5
41	120675	DECAL, DUAL SPEED	1
42	602597	DECAL, WARNING	1
43	800488	DECAL, HAZARDOUS VOLTAGE	1
44	99923370	SPACER	2
45	99925812	SCREW	4
46	99918446	CAP	2
47	801465	SHROUD, MOTOR	1
48	99918814	●BUMPER, MOTOR	1
49	801464	COVER, TOP, MOTOR	1
50	801089	BEARING	1
51	99916030	●BUMPER, MOTOR	
52	801463	SHIELD, END, MOTOR	1
53	801481	WIRE, BLACK (CIR. BREAKER TO SWITCH)	1
54	801482	WIRE, GREEN (PLUG TO MOTOR HSG)	1
55	801483	WIRE, BLACK (PLUG TO CIR. BREAKER)	1

SOLUTION TANK GROUP



SOLUTION TANK GROUP

REF	PART #	DESCRIPTION	QTY
▽	801167	KIT, SOLUTION TANK	1
▲▽ 1	800480	SOLUTION TANK W/ COVER	1
▲▲ 2	99927951	COVER	1
▲ 3	99924958	BOLT	1
▲ 4	99924954	SPRING, COMPRESSION	1
▲ 5	99921206	SCREW, SHCS	2
▲ 6	99924308	COUNTER CLIP	1
▲ 7	99927957	HOLDER, UPPER	1
▲ 8	99915638	NUT	3
▲ 9	99924964	KNOB	1
▲ 10	99927956	END CAP	1

REF	PART #	DESCRIPTION	QTY
▲ 11	99924464	NUT, KNURLED	1
▲ 12	99927945	SPRING, COMPRESSION	1
▲ 13	99924790	ROD	1
▲ 14	99924972	ROD	1
▲ 15	99920060	WASHER	1
▲ 16	800320	RING	1
▲ 17	99927962	HOOK	1
▲ 18	801239	ASSEMBLY, CHAIN	1
▲ 19	99941446	FITTING	1
▲ 20	801166	HOSE	1

▽ ASSEMBLY

▲ INCLUDED IN ASSEMBLY